

GP Batteries

Data Sheet

Rechargeable Nickel Metal Hydride Battery

Model: GP900DHC

Revision History

| Revision | Date | Initiator | Change Description |
|----------|------------|-----------|--------------------|
| 01 | 2014-10-22 | YS Liu | 1.New form |
| | | | |
| | | | |

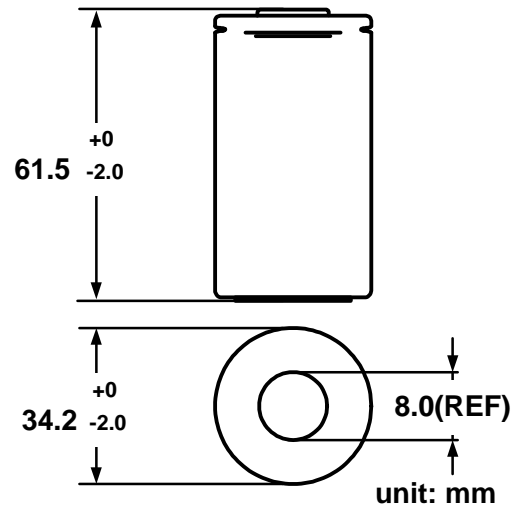
| Prepared by | Checked by | Approver |
|------------------|------------------|------------------|
| RD Engineer | RD Manager | SM |
| YS Liu | Jackie Yu | Vivian Fong |
| Date: 2014-10-22 | Date: 2014-10-22 | Date: 2014-10-22 |

GPI International Limited

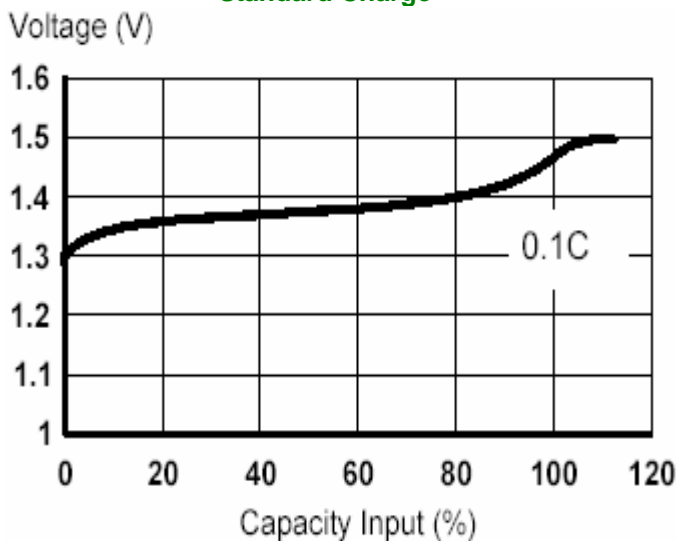
Gold Peak Building, 8/F, 30 Kwai Wing Road,
Kwai Chung, New Territories, Hong Kong.
Tel: (852) 2484 3333 Fax: (852) 24805912
Email: gpii@goldpeak.com
Website: <http://www.gpbatteries.com>

Model No.: **GP900DHC**

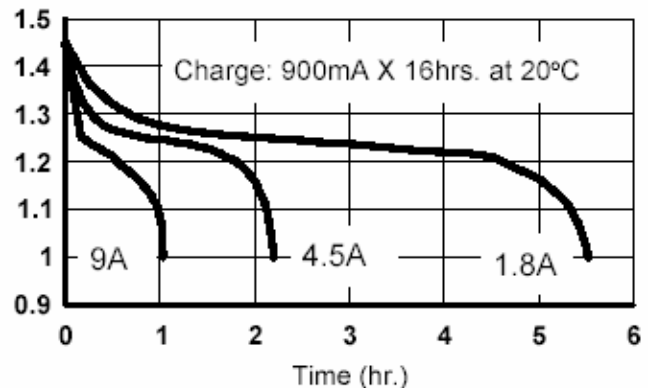
| | |
|---------------------------------|---|
| Type | : Rechargeable Nickel Metal Hydride Cylindrical Cell |
| Nominal Dimension (with Sleeve) | : $\Phi = 34.2\text{mm}$ H = 61.5mm |
| Applications | : Recommended discharge current 1800mA to 27A(continuous) |
| Nominal Voltage | : 1.2V |
| Capacity | : Nominal: 9000mAh Minimum: 9000mAh Typical: 9000mAh When discharged at 1800mA to 1.0V at 20°C |
| Charging Condition | : 900mA for 16hrs at 20°C |
| Charge Retention | : 50% of nominal capacity after cell storage at 20°C for 12months When discharged at 1.8A to 1.0V at 20°C |
| Service Life | : > 500 cycles (IEC standard) Up to 1000 cycles (not less than 60% of nominal at 0.1C charge / 0.2C discharge) |
| Continuous Overcharge | : 900mA maximum current for 1 year. No conspicuous deformation and/or Leakage |
| Weight | : 173g |
| Internal Resistance | : Average 6m Ω upon fully charged (Max. 10m Ω) at 1000Hz |
| Max. Charging Voltage | : 1.5V at 900mA charging |
| Ambient Temperature Range | : Standard Charge : 0 to 40°C Discharge : -20 to 50°C Storage : -20 to 35°C Storage (1 week) : -20 to 60°C |



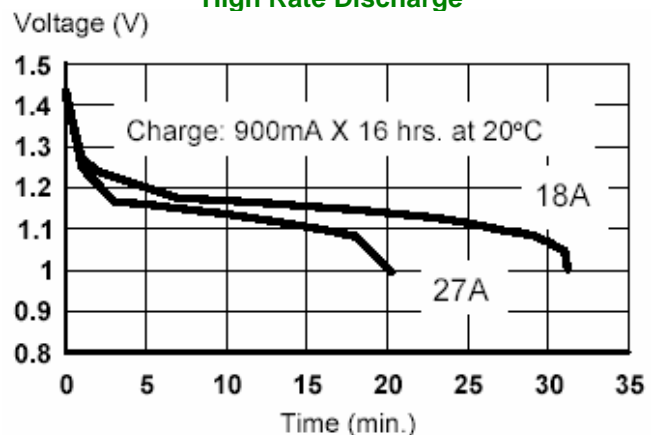
Standard Charge



Low Rate Discharge



High Rate Discharge



The information (subject to change without prior notice) contained in this document is for reference only and should not be used as a basis for product guarantee or warranty. For applications other than those described here, please consult your nearest GP Sales and Marketing Office or Distributors.