

GP Batteries

Data Sheet

Rechargeable Nickel Metal Hydride Battery

Model: GP350CHC

Revision History

Revision	Date	Initiator	Change Description
01	2014-10-22	YS Liu	1.New form

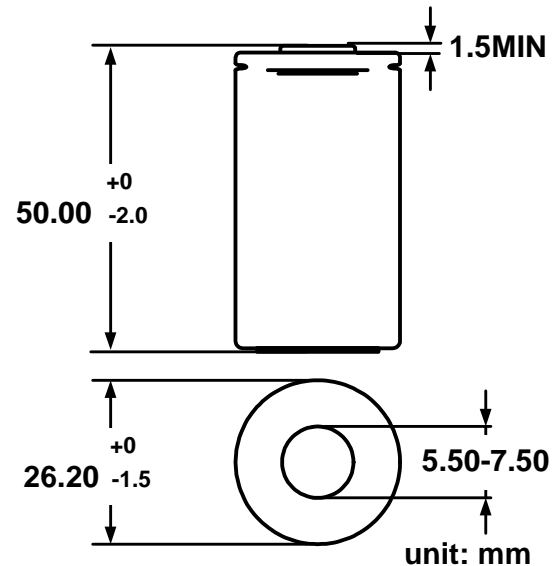
Prepared by	Checked by	Approver
RD Engineer	RD Manager	SM
YS Liu	Jackie Yu	Vivian Fong
Date: 2014-10-22	Date: 2014-10-22	Date: 2014-10-22

GPI International Limited

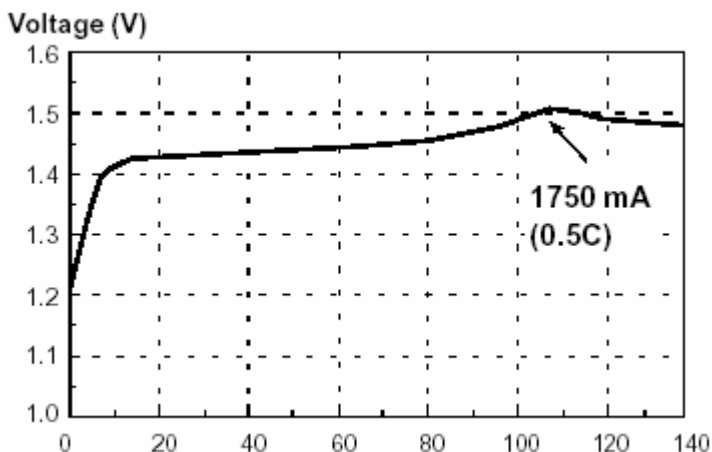
Gold Peak Building, 8/F, 30 Kwai Wing Road,
Kwai Chung, New Territories, Hong Kong.
Tel: (852) 2484 3333 Fax: (852) 24805912
Email: gpii@goldpeak.com
Website: <http://www.gpbatteries.com>

Model No.: GP350CHC

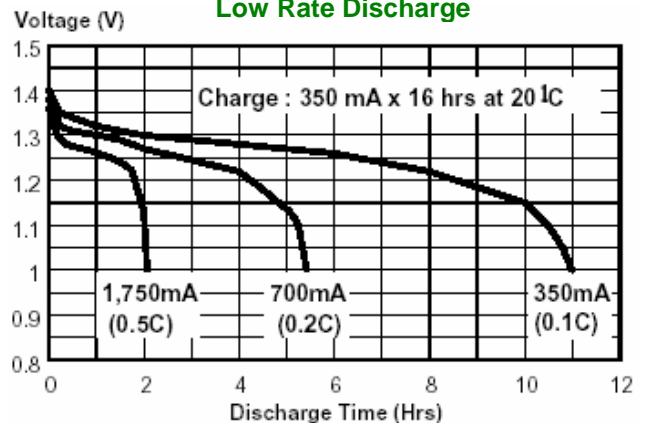
Type	: Rechargeable Nickel Metal Hydride Cylindrical Cell
Nominal Dimension (with Sleeve)	: $\Phi = 26.2\text{mm}$ H = 50.0mm
Applications	: Recommended discharge current 350mA to 10.5A
Nominal Voltage	: 1.2V
Capacity	: Nominal: 3500mAh Minimum: 3500mAh Typical: 3500mAh When discharged at 700mA to 1.0V at 20°C
Charging Condition	: 350mA for 16hrs at 20°C
Charge Retention	: 50% of nominal capacity after cell storage at 20°C for 12months When discharged at 0.7A to 1.0V at 20°C
Fast Charge	: 1750mA (0.5C) charge termination control recommended control parameters: - ΔV : 0-5mV DT/dt : 0.8°C/min TCO : 45 - 50°C Timer : 105% nominal input
Service Life	: >500 cycles (IEC standard) Up to 1000 cycles (not less than 60% of nominal at 0.1C charge / 0.2C discharge)
Continuous Overcharge	: 350mA maximum current for 1 year. No conspicuous deformation and/or Leakage
Weight	: 78.5g
Internal Resistance	: Average 6m Ω upon fully charged (Max.10m Ω) at 1000Hz
Max. Charging Voltage	: 1.5V at 350mA charging
Ambient Temperature Range	: Standard Charge : 0 to 40°C Fast Charging : 10 to 40°C Discharge : -20 to 50°C Storage : -20 to 35°C Storage(1 week):-20 to 60°C



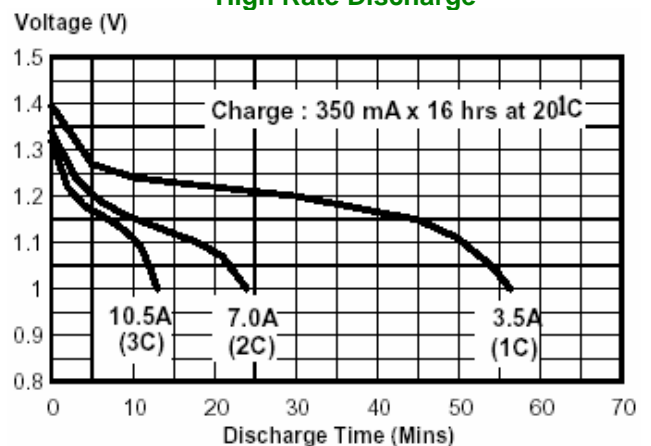
Fast Charge (Charge Control required)



Low Rate Discharge



High Rate Discharge



The information (subject to change without prior notice) contained in this document is for reference only and should not be used as a basis for product guarantee or warranty. For applications other than those described here, please consult your nearest GP Sales and Marketing Office or Distributors.

MRS6090rev01